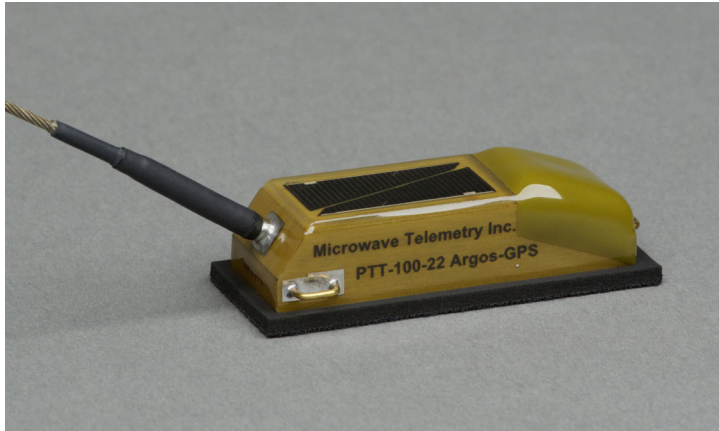


Solar Argos/GPS 22g PTT

Microwave Telemetry, Inc.
8835 Columbia 100 Pkwy, Suites K & L
Columbia, MD 21045
USA



SENSORS

The Solar Argos/GPS 22g PTT includes sensors to measure temperature, battery voltage, and activity. A multi-channel GPS receiver calculates position, altitude, course, and speed.

GENERAL ELECTRICAL SPECIFICATIONS

Operating frequency: 401.650 MHz \pm 36 kHz
Power output: 200 mW output is standard[†]
Output impedance: 50 ohms
Modulation tri-phase PSK: \pm 1.1 Rad \pm 0.1 Rad
Quiescent current: <3 μ A
Spurious emissions: -45 dB
Transmission interval: 60 seconds^{††}
Supply voltage: 3.6–4 volts
Operating temperature range: -5–45°C

* Harnessing loops and neoprene pad not included in these dimensions.

** Neoprene pad not included.

*** Customer must supply leg band at least 4 weeks prior to scheduled delivery.

Be advised that the combined weight of the PTT and leg band will exceed 22 grams.

PHYSICAL SPECIFICATIONS

Dimensions*: Length 2.54 in (6.45 cm) x Width 0.92 in (2.34 cm) x Height 0.67 in (1.70 cm)

Weight**: ~22.5 grams

Antenna: Hard nylon-coated flexible stranded marine-grade stainless steel, 7.00 in (17.78 cm) long, protruding from the back edge of the transmitter 35° to the bottom face

FEATURES

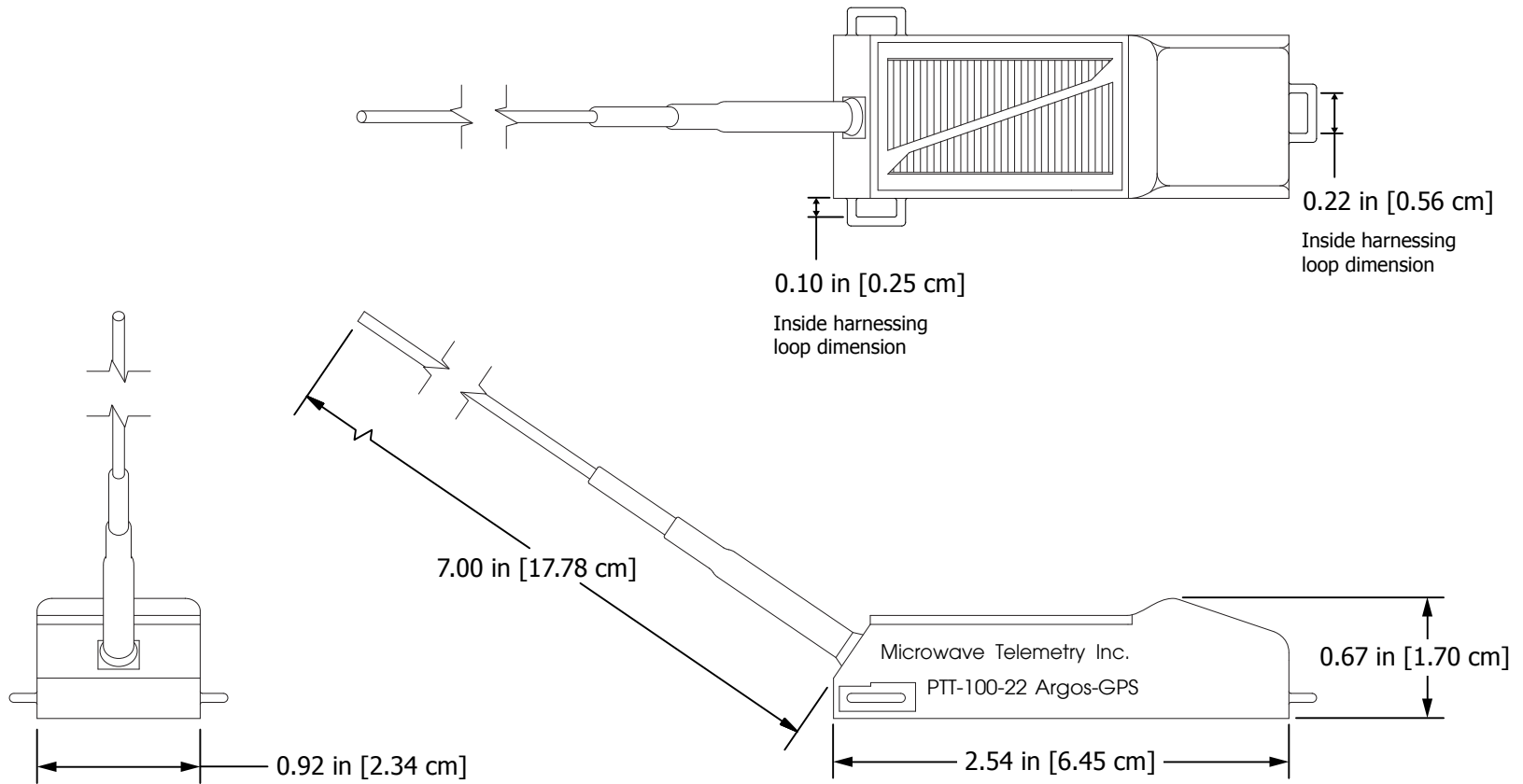
- Solar-powered, rechargeable battery
- Microprocessor-controlled power management
- Internal multi-channel micro-power GPS receiver
- SBAS capable (WAAS, EGNOS, and QZSS)
- GPS horizontal accuracy \pm 18 m
- GPS vertical accuracy \pm 22 m
- Programmable with up to 5 duty cycle seasons
- SiV™ Technology
- Embedded CRC checksum with bit error detection
- Optional 2D Firmware
- Optional Seasonal GT™ and Mortality GT™
- Backpack (with standard neoprene cushioning pad) and leg band*** attachment options available
- Alternative color and matte finish options available
- Operating lifetime up to 3 years

CONSTRUCTION

The housing is constructed from a lightweight glass-reinforced epoxy composite material with a contiguous interior metal-plated coating. The unit is hermetically sealed with a metal-to-metal solder joint providing stability during changes in temperature and humidity.

[†] Adjustable between 100–500 mW.

^{††} Can be optimized for your requirements at time of manufacture.



| | |
|-----------------------------|-----------|
| © Microwave Telemetry, Inc. | |
| Solar Argos/GPS 22g PTT | |
| 10-01-2018 | Scale 1:1 |